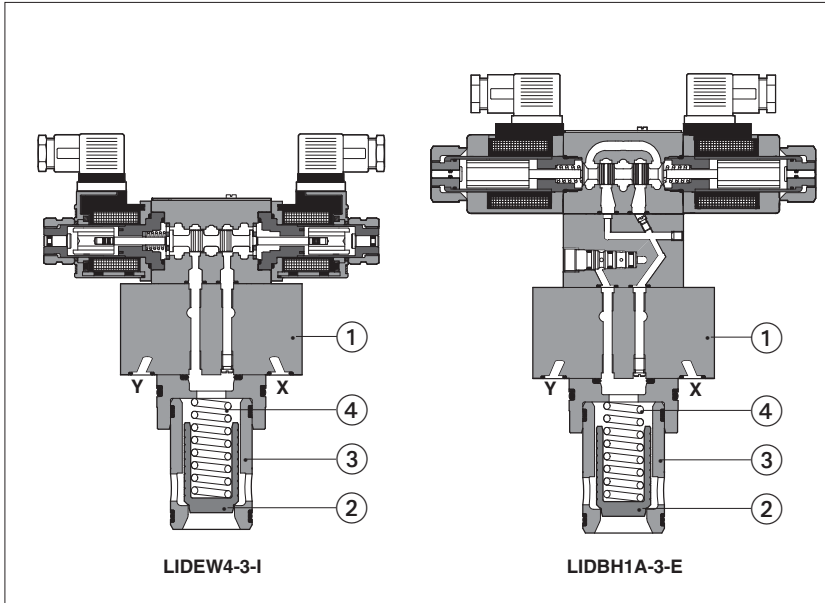


Modular cartridge valves type LIDEW and LIDBH

directional control, ISO 7368 sizes from 16 to 100



LID* are directional control valves composed by a 2-way cartridge housed in a recess of standard dimensions and by a closing functional element ① called "cover".

The cartridge is composed by a poppet ② hydraulically piloted by means of internal connections in the cover (X, Z1, Z2, F, Y) and sliding into a drilled sleeve ③.

The flow is inhibited or permitted according to a proper pilot control; cracking pressure value depends on poppet spring ④.

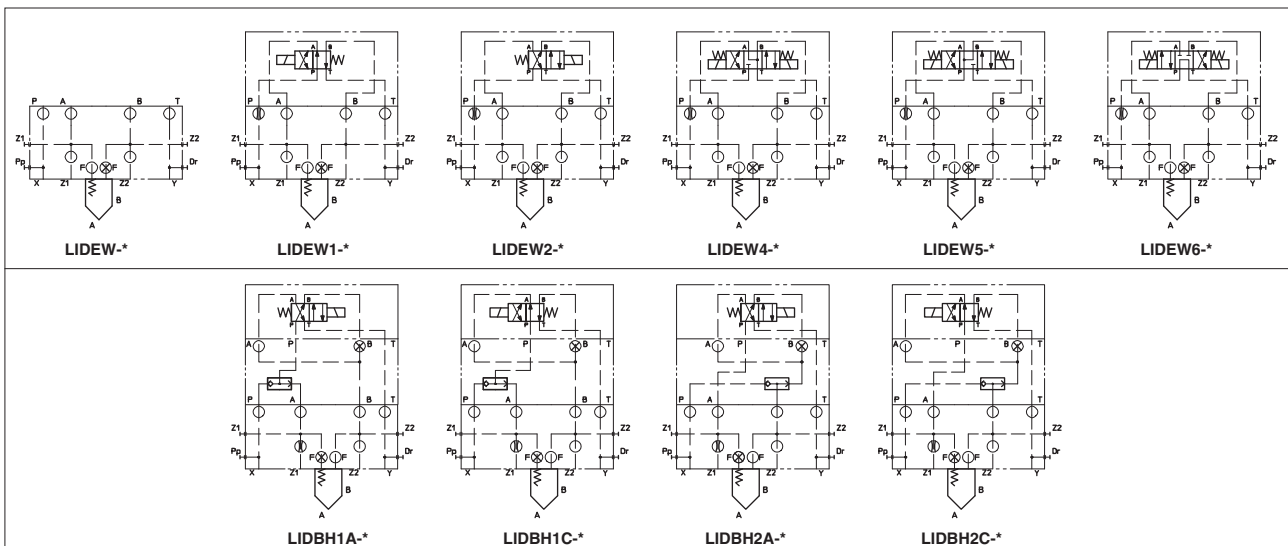
These valves are available in standard sizes 16 to 100 according to ISO 7368 (DIN 24342).

Flow up to 8000 l/min at $\Delta p = 6$ bar.
Pressure up to 350 bar.

1 MODEL CODE FOR COVERS

LI	D	EW	-	1	/*	-I	X	24DC	**	/*	*
Cover according to ISO 7368	D = direct operated valve	EW** = with solenoid valve for pilot selection; BH** = as EW* but with shuttle valve for pilot selection.								Seals material: - = NBR PE = FKM BT = HNBR	Optional different provision or setting of the calibrated plugs in the pilot channels, see section 7
See section 2 for configurations;											Series number
Size: 1 = 16; 2 = 25; 3 = 32; 4 = 40; 5 = 50; 6 = 63; 8 = 80; 10 = 100											Voltage code, see section 9
Options, see section 7											
For model code of poppet, see section 4											
(1) see note in section 7 for other available pilot valves											
X = without connector See section 2 for available connectors, to be ordered separately											
00 = solenoid valve without coils (for DHI)											
00-AC = AC solenoid valve without coils (for DHE)											
00-DC = DC solenoid valve without coils (for DHE)											
Pilot valve (1) for cartridge size 1 to 6: -I = DHI for AC and DC supply, with cURus certified solenoids -E = DHE for AC and DC supply, with cURus certified high performances solenoids for cartridge size 8 and 10: -E = DKE for AC and DC supply											

2 HYDRAULIC SYMBOLS



3 HYDRAULIC CHARACTERISTICS

		LIDEW*, LIDBH*																															
Covers		32								33								42								43							
Poppet		16	25	32	40	50	63	80	100	16	25	32	40	50	63	80	100	16	25	32	40	50	63	80	16	25	32	40	50	63	80	100	
Size																																	
Max flow at Δp = 6 bar [l/min]		180	430	670	1400	2200	3500	5600	8500	160	330	530	1100	1700	2600	4000	6500	170	380	560	1300	2000	2800	4800	130	300	480	940	1500	2000	3500	5500	
Max pressure [bar]		350 bar at port A, B, X, Z1, Z2; 70 bar at port Y																															

4 MODEL CODE FOR POPPETS, see section 5 for function

SC LI	-	16	43	1	**	/*	
Cartridge according to ISO 7368							
Size, the same of relevant cover:							
		16	40	80			
		25	50	100			
		32	63				
Type of poppet, see section 3 for maximum flow							
32, 33 (size 16...100)							
42 (size 16...80) = as 32 but with dumping nose							
43 (size 16...100) = as 33 but with dumping nose							
						Seals material:	
						- = NBR	
						PE = FKM	
						BT = HNBR	
						Series number	
						Spring cracking pressure:	
						2 = 1,5 bar for poppet 32, 42;	
						1 = 0,3 bar for poppet 32, 42;	
						3 = 3 bar for all poppets	
						1 = 0,6 bar for poppet 33, 43;	
						6 = 5,5 bar for all poppets	

5 TYPICAL FUNCTIONS OF POPPETS

Code of poppet	32	33	42	43
Functional sketch (Hydraulic symbol)				
Typical section				
Area ratio (1)	1:1,1	1:2 for size 16, 25 1:1,6 for size 32 ÷ 100	1:1,1	1:2 for size 16, 25 1:1,6 for size 32 ÷ 100
Opening pressure A→B (2)	0,3 bar (spring 1) 1,5 bar (spring 2) 3 bar (spring 3) 6 bar (spring 6)	0,5 bar (spring 1) - 2,5 bar (spring 3) 6 bar (spring 6)	0,4 bar (spring 1) - 2,1 bar (spring 3) 4,3 bar (spring 6)	0,5 bar (spring 1) - 2,7 bar (spring 3) 6 bar (spring 6)
Opening pressure B→A (2)	3 bar (spring 1) 12,8 bar (spring 2) 32,5 bar (spring 3) 59,4 bar (spring 6)	0,5 bar (spring 1) - 2,5 bar (spring 3) 6 bar (spring 6)	0,7 bar (spring 1) - 3,7 bar (spring 3) 7,5 bar (spring 6)	0,5 bar (spring 1) - 2,4 bar (spring 3) 6 bar (spring 6)

(1) It is the ratio of the area on which the main pressure of the circuit is applied to the area on which the pilot pressure is applied

(2) Depending on the spring cracking pressure and the area ratio of the poppet

6 MAIN CHARACTERISTICS OF MODULAR DIRECTIONAL CONTROL CARTRIDGE VALVES TYPE LID*

Assembly position / location	Any position
Subplate surface finishing	Roughness index Ra 0,4 - flatness ratio 0,01/100 (ISO 1101)
Ambient temperature	Standard execution = -30°C ÷ +70°C; /PE option = -20°C ÷ +70°C; /BT option = -40°C ÷ +70°C
Fluid	Hydraulic oil as per DIN 51524 . . . 535; for other fluids see section 11
Recommended viscosity	15 ÷ 100 mm ² /s at 40°C (ISO VG 15 ÷ 100)
Fluid contamination class	ISO 4406 class 21/19/16 NAS 1638 class 10, in line filters of 25 μm (β ₂₅ ≥ 75 recommended)
Seals, recommended fluid temperature	NBR seals (standard) = -20°C ÷ +60°C, with HFC hydraulic fluids = -20°C ÷ +50°C FKM seals (/PE option) = -20°C ÷ +80°C HNBR seals (/BT option) = -40°C ÷ +60°C, with HFC hydraulic fluids = -40°C ÷ +50°C

6.1 Coils characteristics

Insulation class	DHI-DC and -AC class H (180°C) DHE, DKE -DC class H (180°C) DHE, DKE -AC class F (155°C)
Connector protection degree	IP 65
Relative duty factor	100%
Supply voltage and frequency	See electric feature 7
Supply voltage tolerance	± 10%

7 OPTIONS

For LIDEW*, LIDBH* covers (sizes 40...100):

/E = with external attachments Pp and underneath port X supplied plugged;

For all the models:

/B = cartridge piloted via port "B" of solenoid pilot valve;

/F = prearranged for coupling to an intermediate element with poppet position detector for safety function. See tab. E110.

/WP = prolonged manual override protected by rubber cap. See table K150.

******* = Calibrated plugs different from standard ones. All covers are equipped with restrictors in the pilot channels according to the standard arrangement which is preset for each varian (see section 13). They can be exchanged with others for particular use. When ordering covers equipped with restrictors that are different from the standard ones it must be indicated at the end of the model code:

LIDEW1 - 1 /EB -IX 24DC ** X 06

Channel where the restrictor have to be provided:
X = channel X **Z1** = channel Z1
F = channel F **Z2** = channel Z2

Size of the throttling hole in ten of millimeters:
05 = 0,5 mm **10** = 1 mm **17** = 1,7 mm
06 = 0,6 mm **12** = 1,2 mm **20** = 2 mm
08 = 0,8 mm **15** = 1,5 mm

Note:

Solenoid pilot valve can be provided with the following handwheel (see table K150):

WPD/H (for DHI), **WPD/HE** (for DHE), **WPD/KE** (for DKE) = manual override with detent, to be ordered separately.

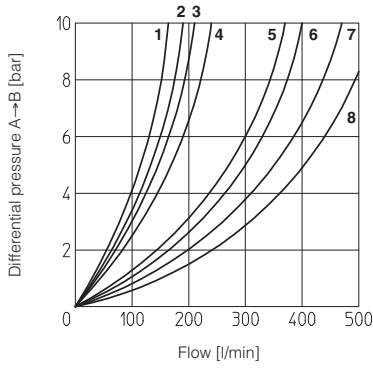
Covers type LID* can be also equipped with the following pilot solenoid valve:

-AO = Multicertification explosion-proof solenoid according to ATEX, IECEx and ROSTECHNADZOR Russian Certification Norm (see table E120 for technical characteristics)

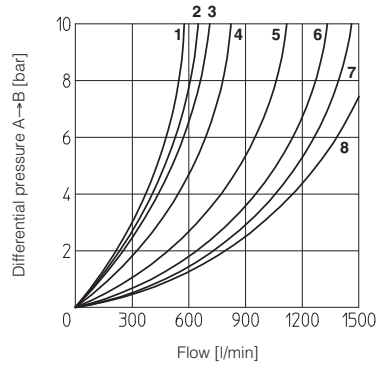
-AO/UL = explosion-proof solenoid according to UL Norm (see table E125 for technical characteristics)

-WO = intrinsically safe solenoid according to ATEX (see table E130 for technical characteristics)

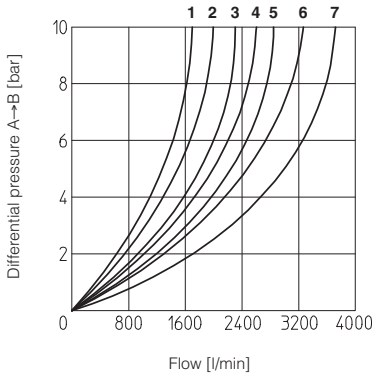
8 DIAGRAMS OF POPPETS



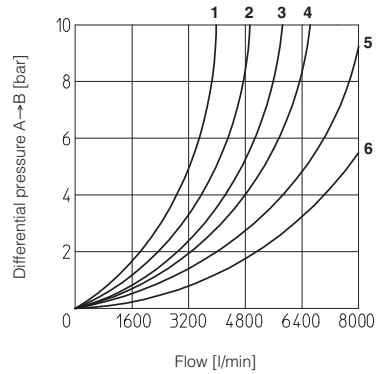
- 1 = SC LI-1643
- 2 = SC LI-1633
- 3 = SC LI-1642
- 4 = SC LI-1632
- 5 = SC LI-2543
- 6 = SC LI-2533
- 7 = SC LI-2542
- 8 = SC LI-2532



- 1 = SC LI-3243
- 2 = SC LI-3233
- 3 = SC LI-3242
- 4 = SC LI-3232
- 5 = SC LI-4043
- 6 = SC LI-4033
- 7 = SC LI-4042
- 8 = SC LI-4032



- 1 = SC LI-5043
- 2 = SC LI-5033
- 3 = SC LI-5042
- 4 = SC LI-5032
- 5 = SC LI-6343
- 6 = SC LI-6342
- 7 = SC LI-6332



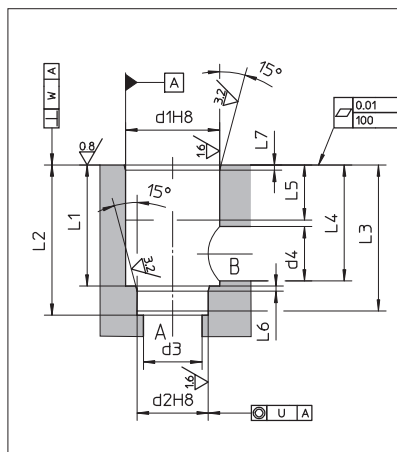
- 1 = SC LI-8043
- 2 = SC LI-8033
- 3 = SC LI-8042
- 4 = SC LI-8032
- 5 = SC LI-10043
- 6 = SC LI-10032

9 ELECTRIC FEATURES FOR AGAM WITH SOLENOID VALVE

Solenoid valve type	External supply nominal voltage ± 10% (1)		Voltage code	Type of connector	Power consumption (3)	Code of spare coil DHI	Colour of coil label DHI	Code of spare coil DHE
	DC	AC						
DHI DHE	DC	12 DC 24 DC 110 DC 220 DC	12 DC 24 DC 110 DC 220 DC	666 or 667	33 W (DHI) 30 W (DHE)	COU-12DC COU-24DC COU-110DC COU-220DC	green red black black	COE-12DC COE-24DC COE-110DC COE-220DC
	AC	110/50 AC (2) 115/60 AC 120/60 AC 230/50 AC (2) 230/60 AC	110/50/60 AC 115/60 AC (5) 120/60 AC (6) 230/50/60 AC 230/60 AC	666 or 667	60 VA (DHI) 58 VA (DHE) (4)	COI-110/50/60AC - COI-120/60AC COI-230/50/60AC COI-230/60AC	yellow - white light blue silver	COE-110/50/60AC COE-115/60AC - COE-230/50/60AC COE-230/60AC
DKE								
DKE	DC	12 DC 14 DC 24 DC 28 DC 110 DC 220 DC	12 DC 14 DC 24 DC 28 DC 110 DC 220 DC	666 or 667	36 W	CAE-12DC CAE-14DC CAE-24DC CAE-28DC CAE-110DC CAE-220DC		
		110/50/60 AC (2) 230/50/60 AC (2)	110/50/60 AC 230/50/60 AC					
	115/60 AC 230/60 AC 110/50/60 AC 230/50/60 AC	115/60 AC 230/60 AC 110 DC 220DC	669	36 W	CAE-110DC CAE-220DC			

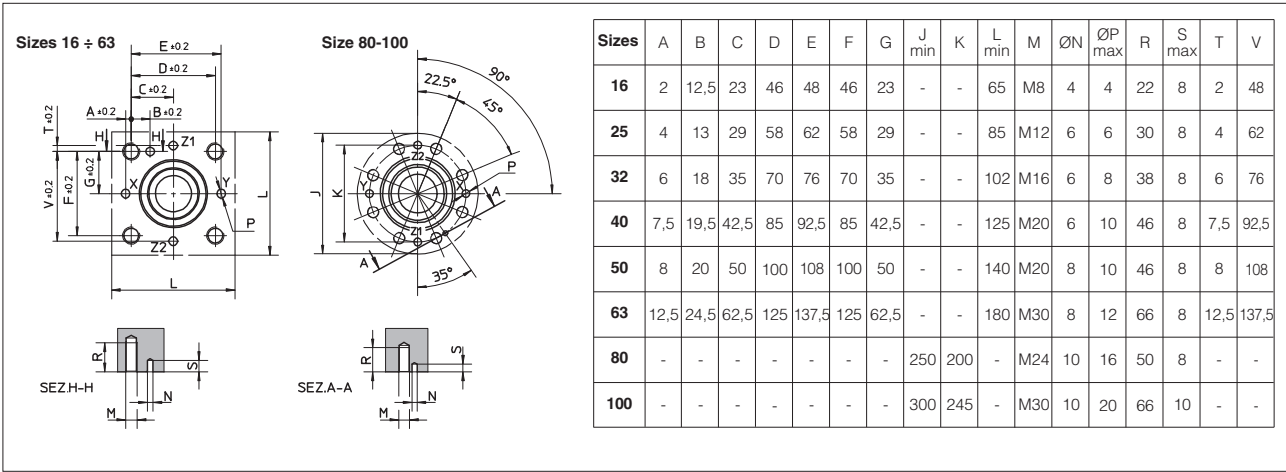
- (1) For other supply voltages available on request see technical tables E010, E015.
- (2) Coil can be supplied also with 60 Hz of voltage frequency: in this case the performances are reduced by 10 ÷ 15% and the power consumption is 55 VA (DHI) and 58 VA (DHE)
- (3) Average values based on tests performed at nominal hydraulic condition and ambient/coil temperature of 20°C.
- (4) When solenoid is energized, the inrush current is approx 3 times the holding current. Inrush current values correspond to a power consumption of about 150 VA.
- (5) Only for DHE
- (6) Only for DHI
- (7) When solenoid is energized, the inrush current is approx 3 times the holding current. Inrush current values correspond to a power consumption of about 150 VA for OI solenoids and about 280 VA for AE solenoids.

10 RECESS DIMENSIONS [mm]

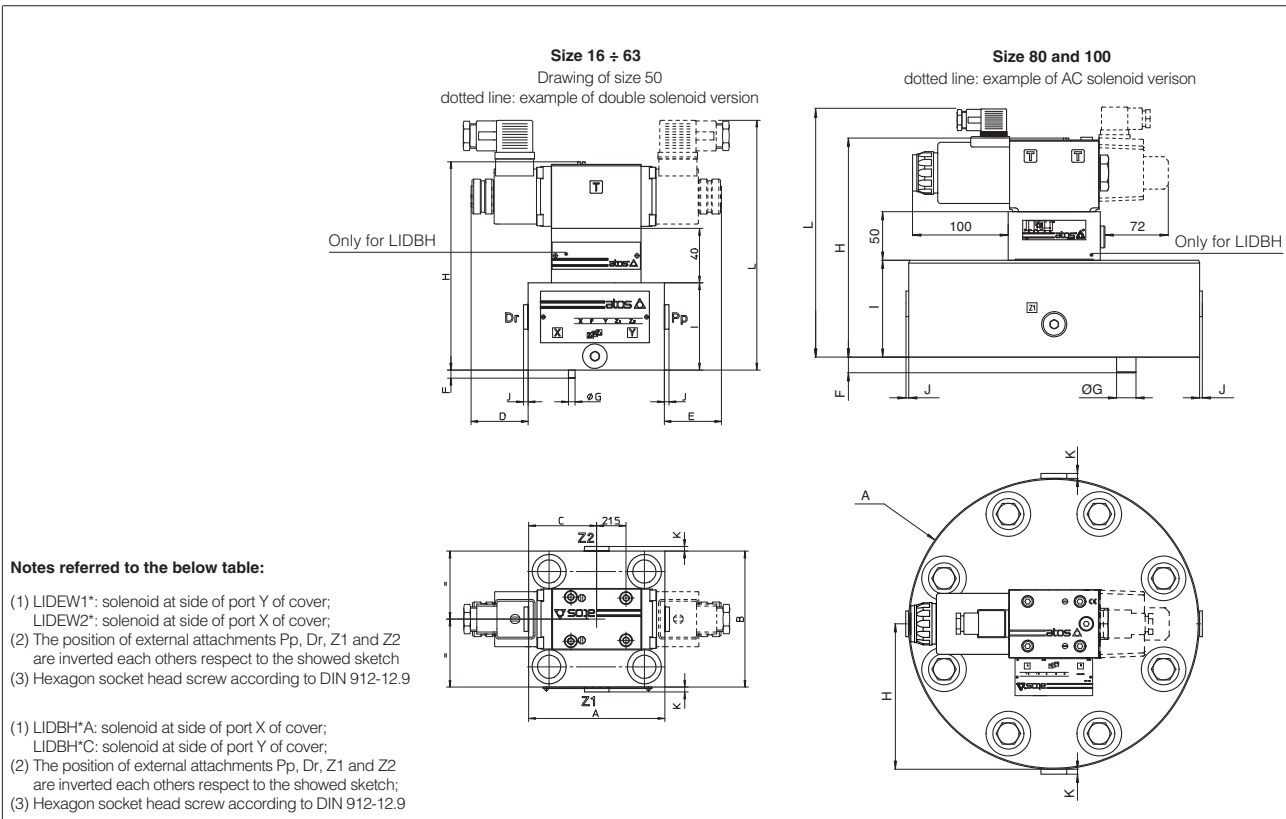


Sizes	Ø d1	Ø d2	Ø d3 max	Ø d4 max	L1	L2	L3	L4 max	L5	L6	L7	U	W
16	32	25	16	22,5	43 ^{+0,1} ₀	56 ^{+0,1} ₀	54	42,5	20	2	2	0,03	0,05
25	45	34	25	27	58 ^{+0,1} ₀	72 ^{+0,1} ₀	70	57	30	2,5	2,5	0,03	0,05
32	60	45	32	38,5	70 ^{+0,1} ₀	85 ^{+0,1} ₀	83	68,5	30	2,5	2,5	0,03	0,1
40	75	55	40	54,5	87 ^{+0,1} ₀	105 ^{+0,1} ₀	102	84,5	30	3	3	0,05	0,1
50	90	68	50	62,5	100 ^{+0,1} ₀	122 ^{+0,1} ₀	117	97,5	35	3	3	0,05	0,1
63	120	90	63	87	130 ^{+0,1} ₀	155 ^{+0,1} ₀	150	127	40	4	4	0,05	0,2
80	145	110	80	100	175 ^{+0,2} ₀	205 ^{+0,2} ₀	200	170,5	40	5	5	0,05	0,2
100	180	135	100	120	210 ^{+0,2} ₀	245 ^{+0,2} ₀	239	205,5	50	5	5	0,05	0,2

11 COVER INTERFACE DIMENSIONS [mm]



12 COVER DIMENSIONS [mm]



Size (1)	A	B	C	D _{max}	E _{max}	F	G	H _{max} LIDEW	H _{max} LIDBH	I	L _{max}	J	K	Ports Pp-Dr	Ports Z ₁ -Z ₂	Seals	Fastening bolts (3)	Tightening torque [Nm]	Weight [Kg]
16	70	65	29	83,5	70,5	4	3	90,5	130,5	40	125	-	-	-	-	4 OR-108	Nr. 4 M8x45	35	2,6 ÷ 3
25	85	85	42,5	69,5	69,5	6	5	90,5	130,5	40	125	-	-	-	-	4 OR-108	Nr. 4 M12x45	125	3 ÷ 3,4
32	100	100	50	62,5	42,5	6	5	100,5	140,5	50	135	-	-	-	-	4 OR-2043	Nr. 4 M16x55	300	3,5 ÷ 4
40	125	125	62,5	49,5	49,5	6	5	110,5	150,5	60	145	3,5	-	G 1/4	-	4 OR-2050	Nr. 4 M20x70	600	6,4 ÷ 6,9
50	140	140	70	42	42	4	6	120,5	160,5	70	155	3,5	3,5	G 1/4	G 1/4	4 OR-2050	Nr. 4 M20x80	600	9,5 ÷ 10
63	180	180	90	22	22	4	6	130,5	170,5	80	165	3,5	3,5	G 3/8	G 3/8	4 OR-2056	Nr. 4 M30x90	2100	17,3 ÷ 17,7
80	Ø250	-	125	-	-	6	8	152,5	202,5	80	187	3,5	3,5	G 3/8	G 3/8	4 OR-123	Nr. 8 M24x90	1000	27,1 ÷ 27,7
100	Ø300	-	150	-	-	8	10	182,5	222,5	100	217	3,5	3,5	G 1/2	G 1/2	4 OR-130	Nr. 8 M30x120	2100	53 ÷ 54

Overall dimensions refer to the pilot valves with connectors type 666

13 SCREWED ORIFICES IN STANDARD COVER EXECUTION: DIMENSIONS (1)

Cover	LIDEW*-1 LIDBH*-1	LIDEW*-2 LIDBH*-2	LIDEW*-3 LIDBH*-3	LIDEW*-4 LIDBH*-4	LIDEW*-5 LIDBH*-5	LIDEW*-6 LIDBH*-6	LIDEW*-8 LIDBH*-8	LIDEW*-10 LIDBH*-10
Port Z1 (only for LIDBH*-*)	M4 12A	M4 12A	M6 15A	M6 17A	M6 20A	M6 20A	M8 20A	M8 20A
Port P	M6 12A	M6 12A	M6 15A	M6 17A	M6 20A	M6 20A	M8 20A	M8 25A

Note: The showed codes define the orifice thread, diameter of the throttling hole in ten of millimeters and the form of throttle sectional area: **A** = short calibrated hole, **F** = long calibrated hole